

FIG. 1A

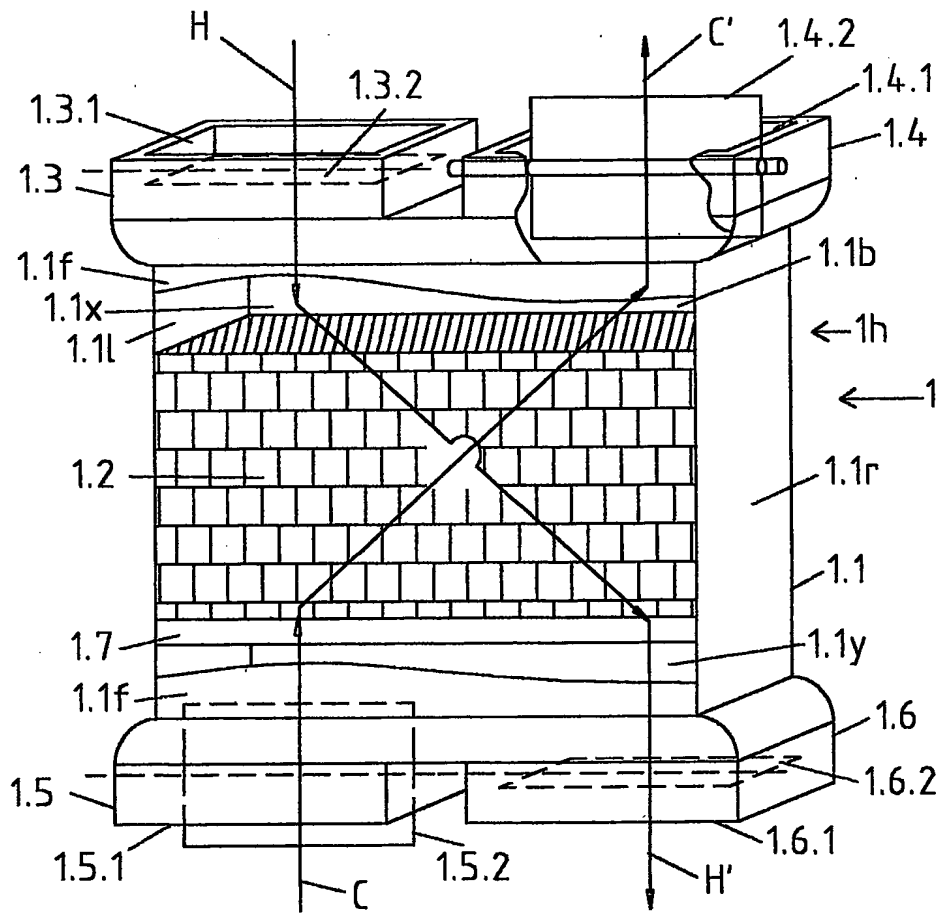


FIG. 1B

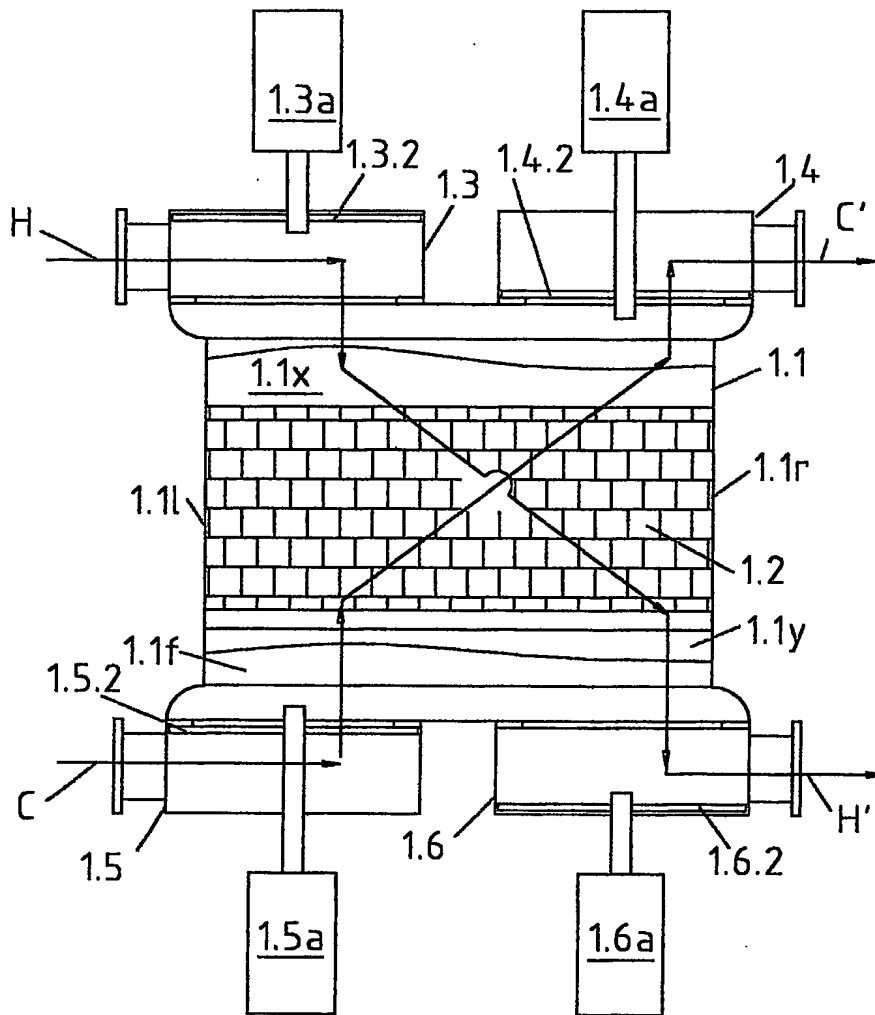


FIG. 1C

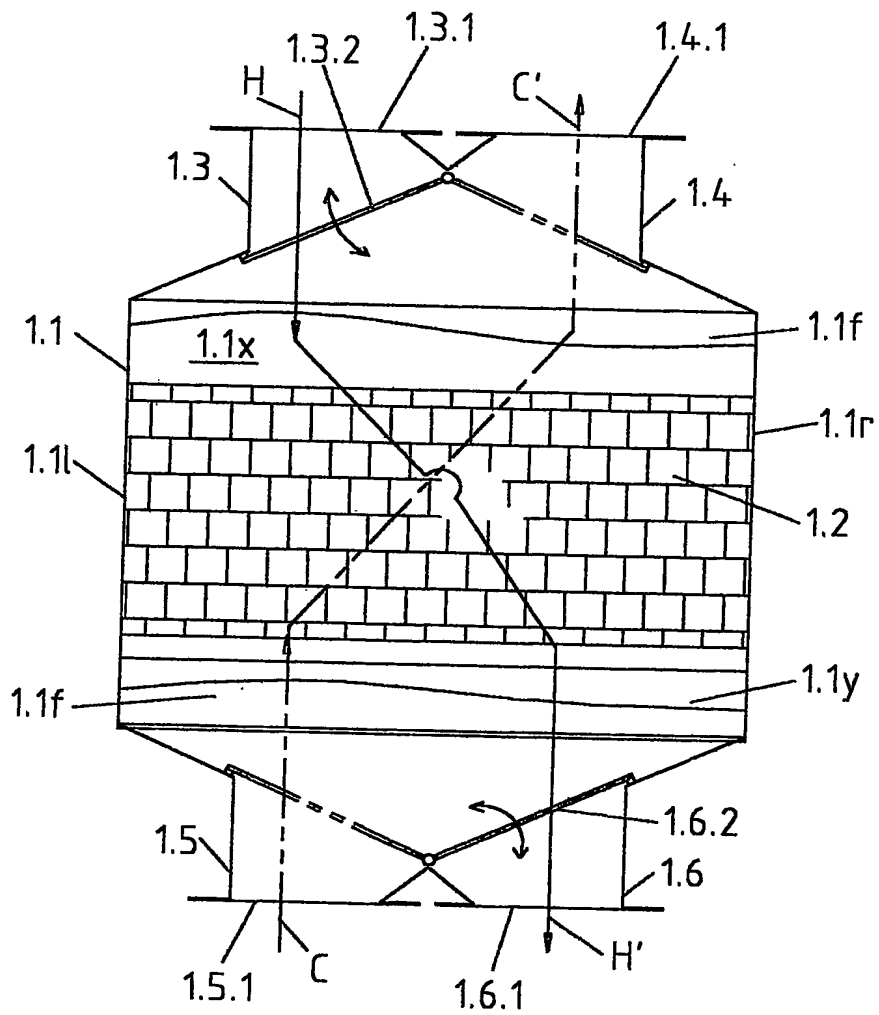


FIG. 2

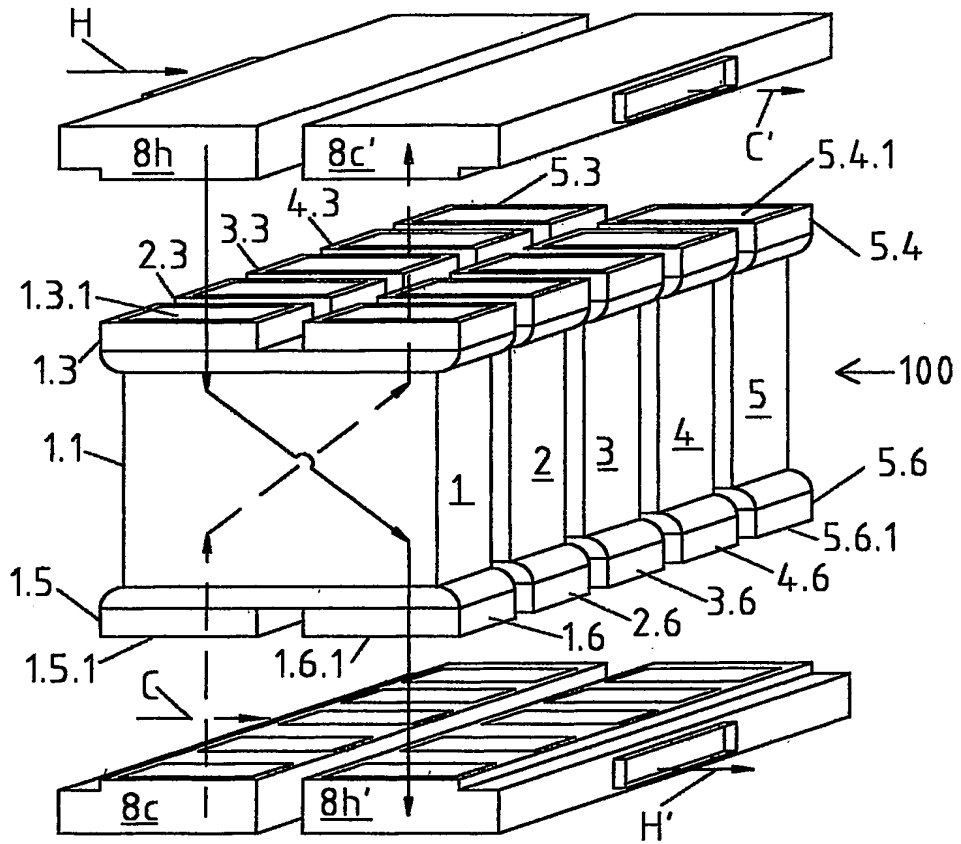


FIG. 3

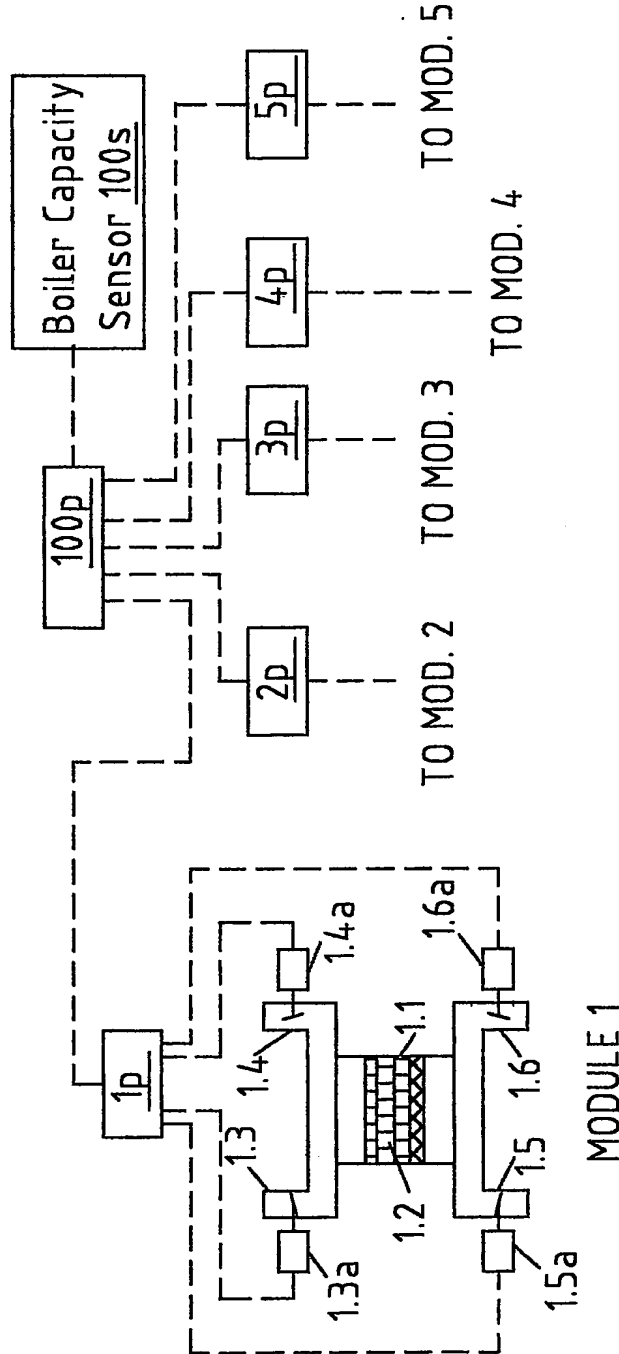


FIG. 4

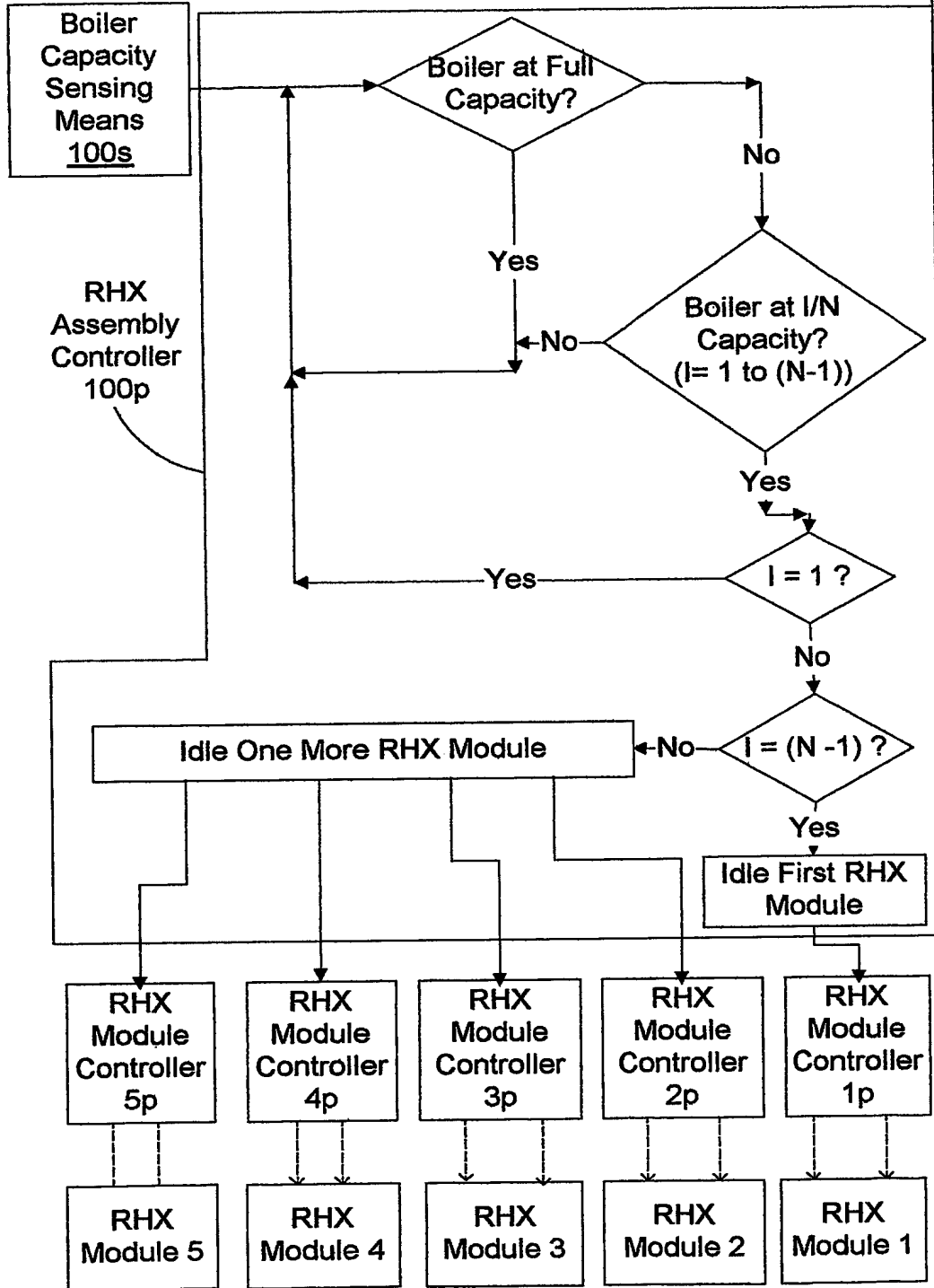


FIG. 5

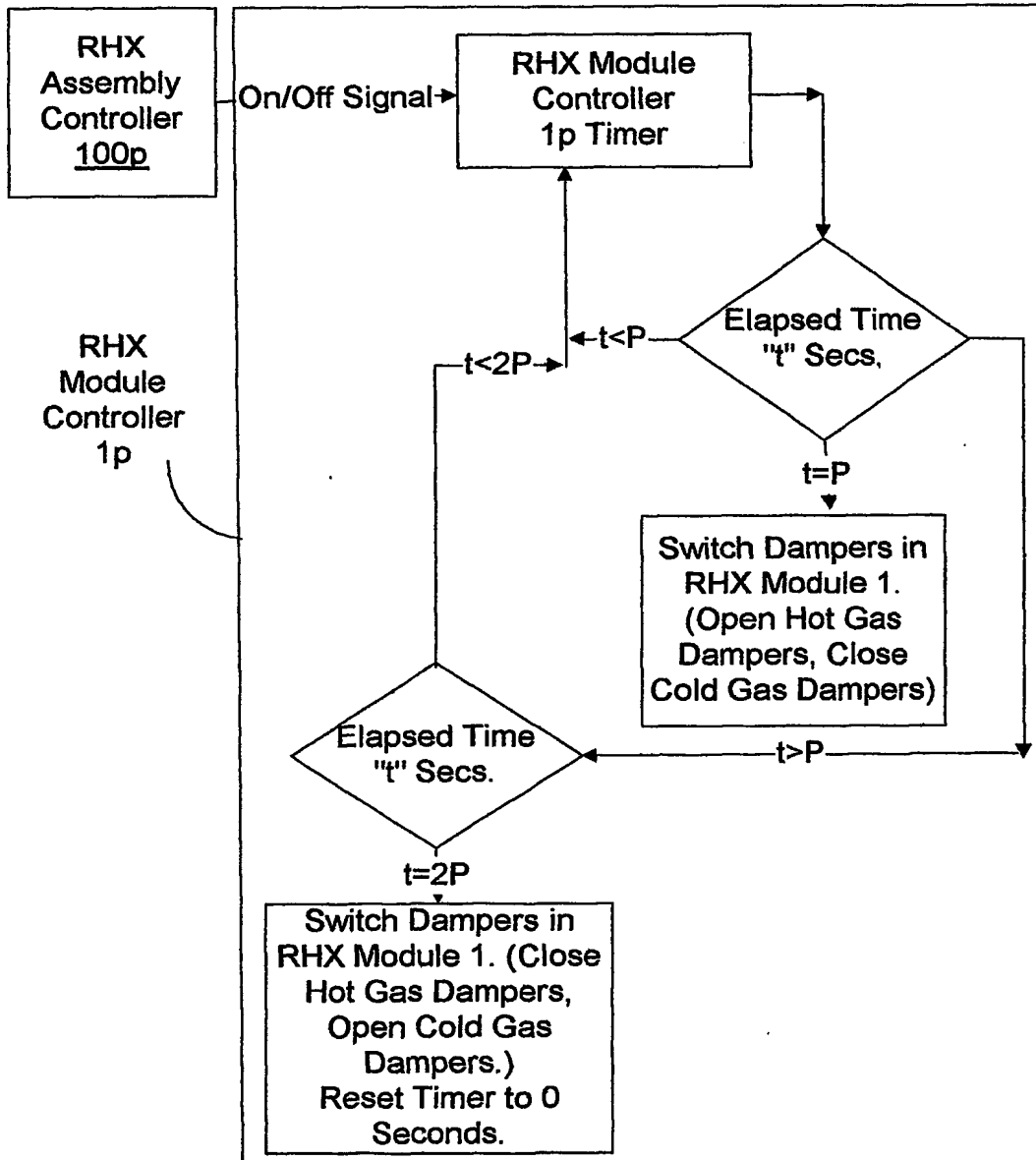


FIG. 6

TABLE-3

| Cycle Time Secs. | RHX | RHX | RHX | RHX | RHX | RHX | RHX | RHX |
|------------------------|-----------|-----------|-----------|-----------|-----------|-----------|-----------|-----------|
| | Mod. 1 | Mod. 2 | Mod. 3 | Mod. 4 | Mod. 5 | Mod. 6 | Mod. 7 | Mod. 8 |
| 0 <> | C | H | H | H | H | I | C | C |
| 10 | C | C | H | H | H | H | I | C |
| 20 | C | C | C | H | H | H | H | I |
| 30 | I | C | C | C | H | H | H | H |
| 40 | H | I | C | C | C | H | H | H |
| 50 | H | H | I | C | C | C | H | H |
| 60 | H | H | H | I | C | C | C | H |
| 70 | H | H | H | H | I | C | C | C |
| 80 <> | C | H | H | H | H | I | C | C |
| 90 | C | C | H | H | H | H | I | C |
| 100 | C | C | C | H | H | H | H | I |
| 110 | I | C | C | C | H | H | H | H |
| 120 | H | I | C | C | C | H | H | H |
| 130 | H | H | I | C | C | C | H | H |
| 140 | H | H | H | I | C | C | C | H |

FIG.-6

(Continued)

TABLE-4

| Cycle Time Secs. | RHX | RHX | RHX | RHX | RHX | RHX | RHX | RHX |
|------------------------|------|------|------|------|------|------|------|------|
| | Mod. | Mod. | Mod. | Mod. | Mod. | Mod. | Mod. | Mod. |
| | 1 | 2 | 3 | 4 | 5 | 6 | 7 | 8 |
| 10 <> | I | H | H | H | I | C | C | C |
| 20 | C | I | H | H | H | I | C | C |
| 30 | C | C | I | H | H | H | I | C |
| 40 | C | C | C | I | H | H | H | I |
| 50 | I | C | C | C | I | H | H | H |
| 60 | H | I | C | C | C | I | H | H |
| 70 | H | H | I | C | C | C | I | H |
| 80 | H | H | H | I | C | C | C | I |
| 90 <> | I | H | H | H | I | C | C | C |
| 100 | C | I | H | H | H | I | C | C |
| 110 | C | C | I | H | H | H | I | C |
| 120 | C | C | C | I | H | H | H | I |
| 130 | I | C | C | C | I | H | H | H |
| 140 | H | I | C | C | C | I | H | H |
| 150 | H | H | I | C | C | C | I | H |
| 160 | H | H | H | I | C | C | C | I |
| 170 <> | I | H | H | H | I | C | C | C |
| 180 | C | I | H | H | H | I | C | C |
| 190 | C | C | I | H | H | H | I | C |

FIG. 6

(Continued)

TABLE-5

| Short Cycle Secs. | Original Cycle Secs. | RHX | RHX | RHX | RHX | RHX | RHX | RHX | RHX |
|-------------------------|----------------------------|-----------|-----------|-----------|-----------|-----------|-----------|-----------|-----------|
| | | Mod. 1 | Mod. 2 | Mod. 3 | Mod. 4 | Mod. 5 | Mod. 6 | Mod. 7 | Mod. 8 |
| 0 | 0 <> | C | H | H | H | I | C | C | O |
| 10 | 11.43 | C | C | H | H | H | I | C | O |
| 20 | 22.86 | C | C | C | H | H | H | I | O |
| 30 | 34.29 | I | C | C | C | H | H | H | O |
| 40 | 45.71 | H | I | C | C | C | H | H | O |
| 50 | 57.14 | H | H | I | C | C | C | H | O |
| 60 | 68.57 | H | H | H | I | C | C | C | O |
| 70 | 80.00 <> | C | H | H | H | I | C | C | O |
| 80 | 91.43 | C | C | H | H | H | I | C | O |
| 90 | 102.86 | C | C | C | H | H | H | I | O |
| 100 | 114.29 | I | C | C | C | H | H | H | O |
| 110 | 125.71 | H | I | C | C | C | H | H | O |
| 120 | 137.14 | H | H | I | C | C | C | H | O |
| 130 | 148.57 | H | H | H | I | C | C | C | O |
| 140 | 160.00 <> | C | H | H | H | I | C | C | O |

TABLE-6

| Short Cycle Secs. | Original Cycle Secs. | RHX | RHX | RHX | RHX | RHX | RHX | RHX | RHX |
|-------------------------|----------------------------|-----------|-----------|-----------|-----------|-----------|-----------|-----------|-----------|
| | | Mod. 1 | Mod. 2 | Mod. 3 | Mod. 4 | Mod. 5 | Mod. 6 | Mod. 7 | Mod. 8 |
| 0 | 0 <> | C | H | H | H | H | C | C | O |
| 10 | 11.43 | C | C | H | H | H | H | C | O |
| 20 | 22.86 | C | C | C | H | H | H | H | O |
| 30 | 34.29 | H | C | C | C | H | H | H | O |
| 40 | 45.71 | H | H | C | C | C | H | H | O |
| 50 | 57.14 | H | H | H | C | C | C | H | O |
| 60 | 68.57 | H | H | H | H | C | C | C | O |
| 70 | 80.00 <> | C | H | H | H | H | C | C | O |
| 80 | 91.43 | C | C | H | H | H | H | C | O |
| 90 | 102.86 | C | C | C | H | H | H | H | O |
| 100 | 114.29 | H | C | C | C | H | H | H | O |
| 110 | 125.71 | H | H | C | C | C | H | H | O |

FIG. 6

(Continued)

TABLE-7

| Short Cycle Secs. | Original Cycle Secs. | RHX | RHX | RHX | RHX | RHX | RHX | RHX | RHX |
|-------------------------|----------------------------|-----------|-----------|-----------|-----------|-----------|-----------|-----------|-----------|
| | | Mod. 1 | Mod. 2 | Mod. 3 | Mod. 4 | Mod. 5 | Mod. 6 | Mod. 7 | Mod. 8 |
| 0 | 0 <> | C | H | H | H | C | C | O | O |
| 10 | 13.33 | C | C | H | H | H | C | O | O |
| 20 | 26.67 | C | C | C | H | H | H | O | O |
| 30 | 40.00 | H | C | C | C | H | H | O | O |
| 40 | 53.33 | H | H | C | C | C | H | O | O |
| 50 | 66.67 | H | H | H | C | C | C | O | O |
| 60 | 80.00 <> | C | H | H | H | C | C | O | O |
| 70 | 93.33 | C | C | H | H | H | C | O | O |
| 80 | 106.67 | C | C | C | H | H | H | O | O |
| 90 | 120.00 | H | C | C | C | H | H | O | O |
| 100 | 133.33 | H | H | C | C | C | H | O | O |
| 110 | 146.67 | H | H | H | C | C | C | O | O |

TABLE-8

| Short Cycle Secs. | Original Cycle Secs. | RHX | RHX | RHX | RHX | RHX | RHX | RHX | RHX |
|-------------------------|----------------------------|-----------|-----------|-----------|-----------|-----------|-----------|-----------|-----------|
| | | Mod. 1 | Mod. 2 | Mod. 3 | Mod. 4 | Mod. 5 | Mod. 6 | Mod. 7 | Mod. 8 |
| 0 | 0 <> | C | H | H | C | C | O | O | O |
| 10 | 13.33 | C | C | H | H | C | O | O | O |
| 20 | 26.67 | C | C | C | H | H | O | O | O |
| 30 | 40.00 | H | C | C | C | H | O | O | O |
| 40 | 53.33 | H | H | C | C | C | O | O | O |
| 50 | 66.67 | C | H | H | C | C | O | O | O |
| 60 | 80.00 <> | C | C | H | H | C | O | O | O |
| 70 | 93.33 | C | C | C | H | H | O | O | O |
| 80 | 106.67 | H | C | C | C | H | O | O | O |
| 90 | 120.00 | H | H | C | C | C | O | O | O |
| 100 | 133.33 | C | H | H | C | C | O | O | O |
| 110 | 146.67 | C | C | H | H | C | O | O | O |